

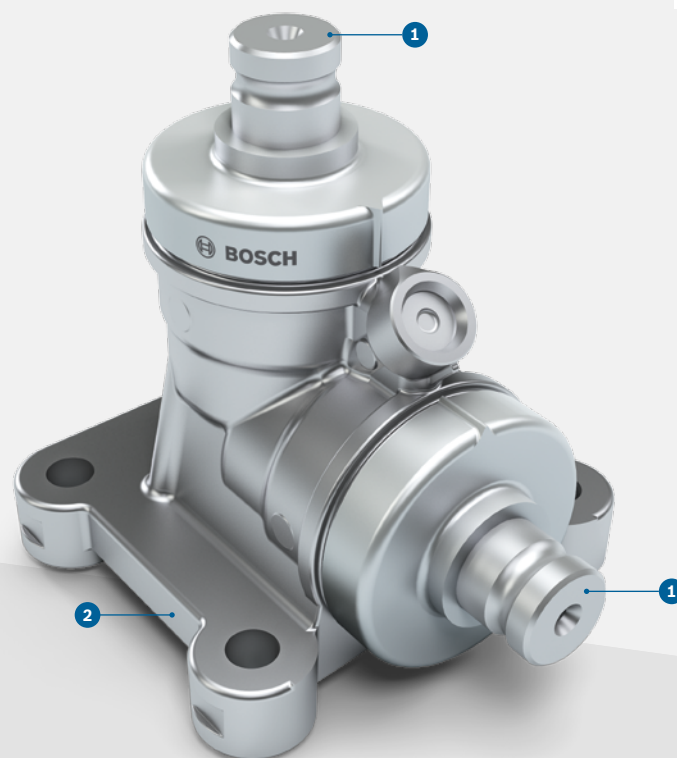
Steering systems

Bevel box



BOSCH

Invented for life



PRODUCT BENEFITS

- ▶ Low weight
- ▶ Low wear
- ▶ Maintenance-free due to continuous lubrication

1 Drive shaft/driven shaft

2 Light-metal housing



2,000,000 km lifetime

The Bosch bevel box offers a high level of reliability thanks to its robust design – tried and tested many times in all markets and for all applications.

TASK

Bevel boxes for commercial vehicles are used, when direct linkage by means of a ball-track telescopic shaft is not possible due to the arrangement of the steering gears in relation to the steering column. Bosch bevel boxes are available in several designs, which are adapted to the familiar installation positions. They can be flanged directly onto the RB-Servocom® or installed separately in the vehicle. The usual standard is a shaft angle of 90°.

FUNCTION

The bevel box consists essentially of a drive or drive shaft including the bevel gearing, the appropriate bearing and the housing. The drives or drive shafts have roller bearings. Generally both shafts carry a straight-toothed bevel gears with the same number of teeth, and these give a 1:1 transmission. The oil filling provides continuous lubrication, and this has a particularly beneficial effect on the noise level and wear performance. The robust light-metal housing contributes to weight reduction. A wide range of special designs up to 120° shaft angle is also available to meet the requirements of customers.

TECHNICAL CHARACTERISTICS

Transmission	1:1
Operating temperature	-40 °C to +80 °C
Static breaking torque	> 500 Nm
Weight	2.2 kg

high steering accuracy

due to precision gearing and low friction torque

- 1 Adjustable steering column
- 2 Steering shaft
- 3 RB-Servocom® steering gear
- 4 Bevel box

